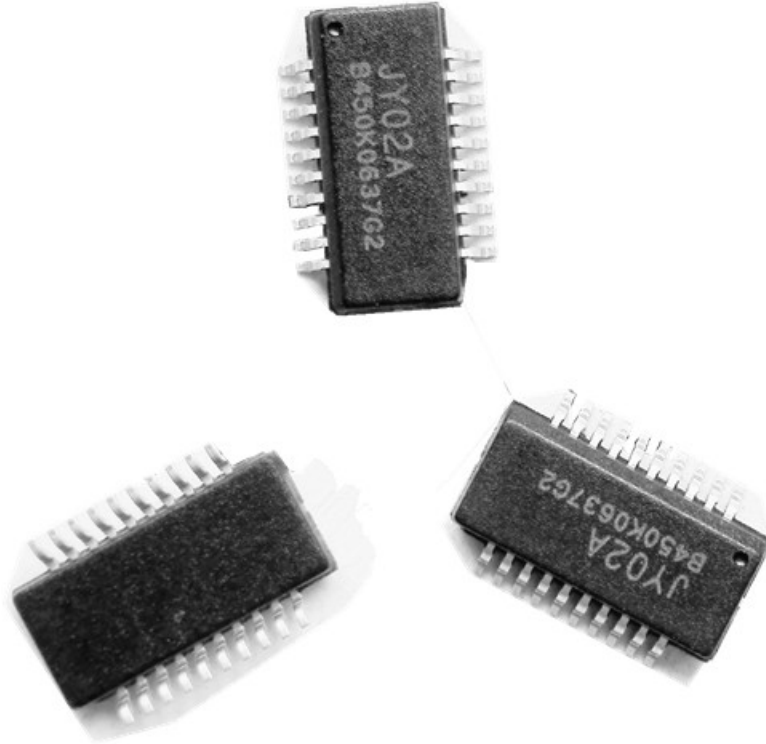


## JY02A

# Sensorless brushless DC motor control IC

(JY02A standard form)

Version: V2.0 Date:20180530



### Absorption makes profession, profession makes excellence

JY02A sensorless brushless DC motor control IC

JY02A is ASIC for sensorless brushless DC motor , with simple peripheral circuit, perfect function, compact size, simple debugging (almost no debugging), high drive efficiency, flexible application, widely application, etc.

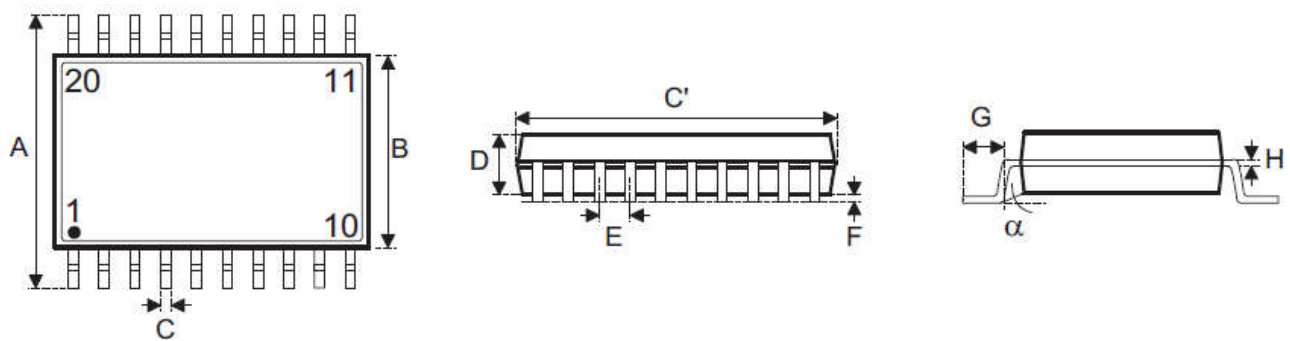
JY02A is a pure hardware application IC, which solve the trouble of writing programs. JY02A internally solidifies various sensorless brushless DC motor drive control circuits, such as adaptive start circuit, power compensation circuit, Q value correction circuit, power factor correction, Phase detection circuit, bidirectional operation decoding circuit, locked-rotor protection circuit, back electromotive force detection circuit, current detection & control circuit, voltage detection & protection circuit, etc., after a very few amount of external component adjustment, can drive various sensorless brushless DC motor, JY02A has a certain load-starting capability, which is very important in most applications. JY02A can be applied to three-phase DC brushless motor with "Y" and "triangle" connection.

Applications: sweeping robots, automotive water pumps, wall-hung boiler circulation pumps, home booster pumps, oxygen generators, various fans/blowers, electric screwdrivers, electric curtains, automatic doors, hydraulic oil pumps, high pressure air pumps, automotive air conditioning compressors , DC brushless compressor, AGV trolley, various linear and loop logistics sorting equipment, lawn mower, sprayer, underwater propeller, etc.

### Functional characteristics :

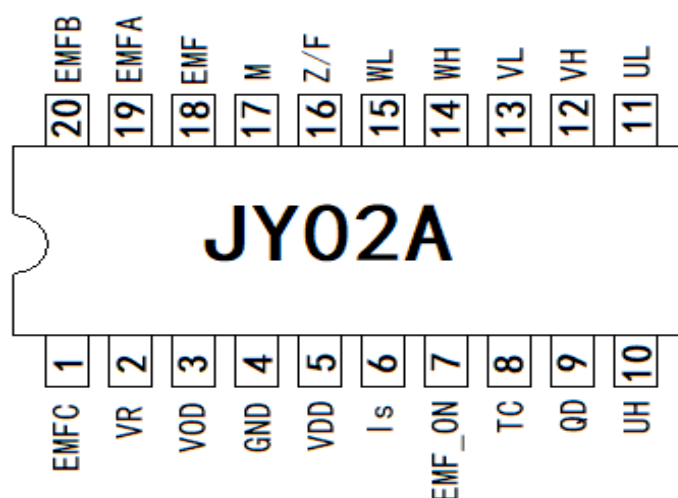
- ☆ Working voltage: 4.5 v-5.5 V.
- ☆ Drive mode: SPWM
- ☆ Direction control: CW/CCW
- ☆ Speed signal: Yes
- ☆ Current closed loop: Yes
- ☆ Blocking protection: Yes
- ☆ Soft starting: Yes
- ☆ Speed adjustment: linear
- ☆ Working temperature: -55-125 °C
- ☆ Adaptive motor: Sensorless BLDC motor
- ☆ Soft reversing: Yes
- ☆ Overload protection: Yes
- ☆ Constant current drive: Yes
- ☆ Starting torque regulation: Yes
- ☆ Special technology: JYKJ full condition safety start function
- ☆ EAI self-adaptation function

### Packaging size:



Symbol	尺寸: 单位mm		
	Min	Typical	Max
A	—	6.0	—
B	—	3.9	—
C	0.20	0.25	0.30
C'	—	8.66	—
D	—	1.70	1.75
E	—	0.635	—
F	0.10	—	0.25
G	0.41	—	1.27
H	0.10	—	0.25
$\alpha$	0°	—	8°

## Diagram of pin function description

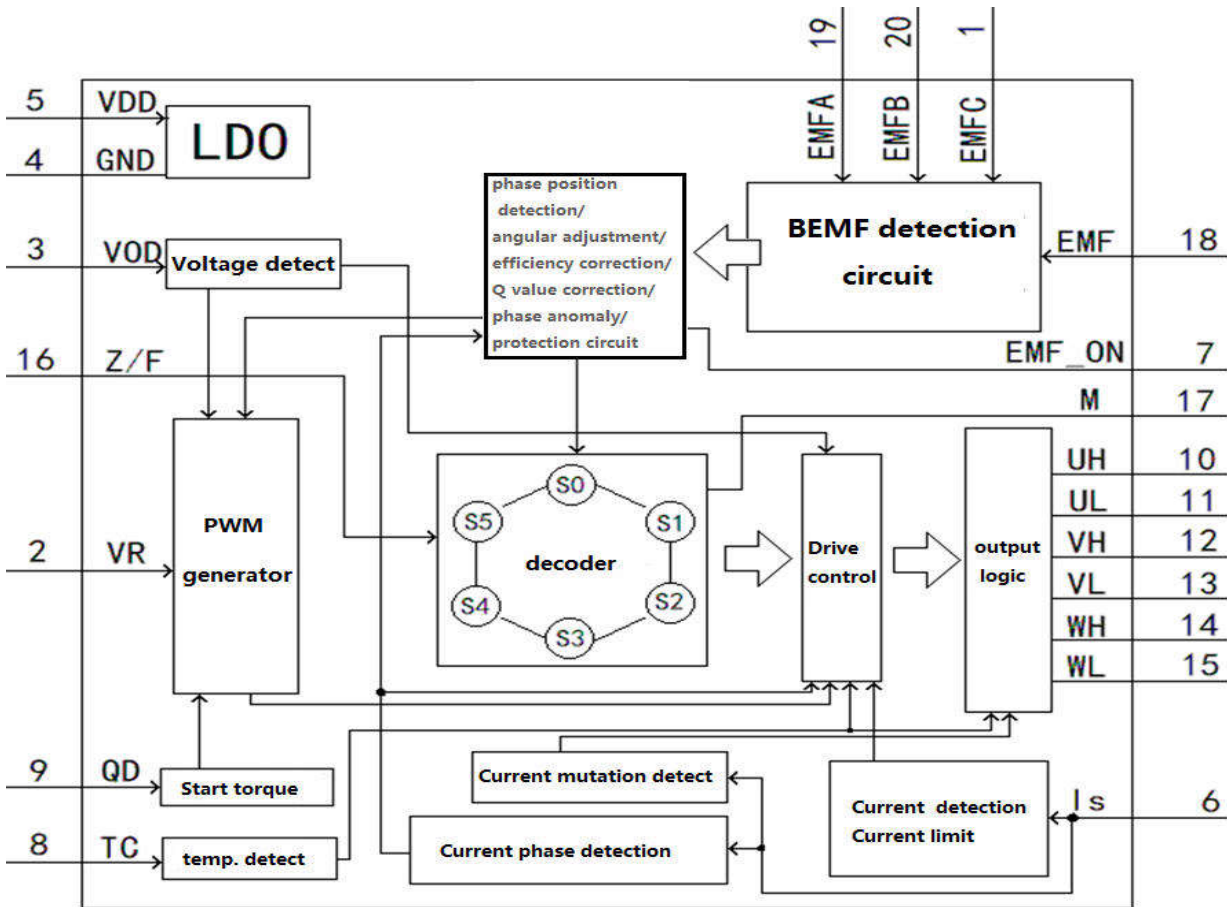


PIN	NAME	FUNCTION	REMARK
1	EMFC	BEMF detection input port C	Connect after W phase partial pressure, pay attention to withstand voltage range
2	VR	speed governing 0-5V	analog input
3	VOD	voltage detection	OV value: 3.6V, LV value: 0.8V
4	GND	GND	0V
5	VDD	5V	4.5V--5.5V
6	Is	current detection	Current feedback signal input
7	EMF_ON	EMF signal output	EMF regulation control
8	TC	Temperature detecting port	Protection: above 4.53V Protection remove: under 3.70V
9	QD	Starting torque adjustment:0-2.5V	0--60%
10	UH	U phase top drive output	U phase top drive PWM output 13KHz
11	UL	U phase bottom drive output	U phase bottom drive commutation signal output
12	VH	V phase top drive output	V phase top drive PWM output 13KHz
13	VL	V phase bottom drive output	V phase bottom drive commutation signal output
14	WH	W phase top drive output	W phase top drive PWM output 13KHz
15	WL	W phase bottom drive output	W phase bottom drive commutation signal output
16	Z/F	CW and CCW rotation control	H: forward / L :Reverse
17	M	Speed pulse output	One pulse per commutation
18	EMF	BEMF common terminal	
19	EMFA	BEMF detection input port A	Connect after U phase partial pressure, pay attention to withstand voltage range
20	EMFB	BEMF detection input port B	Connect after V phase partial pressure, pay attention to withstand voltage range

DC Electrical Characteristics

Symbol	Min	Typical	Max	Unit	Condition
VDD	4.5	5	5.5	V	VDD-GND
IDD		9		mA	All output pins are disconnected
VIL			0.3	V	IO input Low level value
VIH	3.5			V	IO input High level value
EMFV	0.01		4.5	V	BEMF effective voltage
VFOV	0		2.5	V	Range of starting torque voltage
IOL	10			mA	Io Low level suction current
IOH			5	mA	IO high -level output current
VODL	0.75	0.8	0.85	V	Undervoltage protection value
VODH	2.95	3	3.05	V	overvoltage protection value
RPT		3		S	Soft Start time
ISVA	38	40	43	mV	Constant Current Driving Is limit value
ISVB	87	90	95	mV	Overcurrent fast protection value
Vjd	0		5	V	Analog input voltage range
Ijd		100		nA	Analog input current value

JY02A internal functional block diagram



- JY02A drive signal is positive polarity output, choosing adapted MOS drive circuit and power MOS is very important!

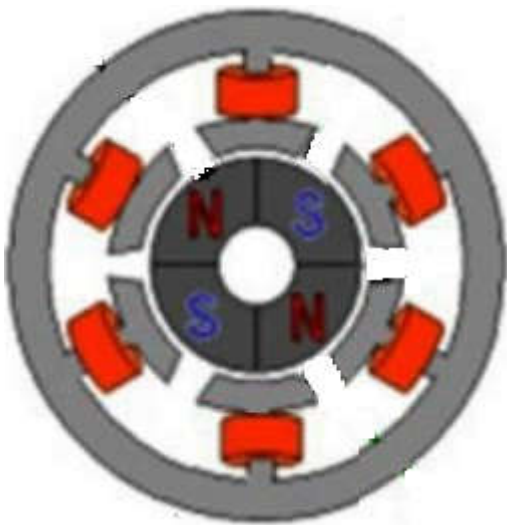
### JY02A Drive mode and parameters:

1:UH/VH/WH phase top drive PWM output,UL/VL/WL phase bottom drive commutation signal output, this drive mode is a economic way to reduce the costs of hardware, especially in application of high voltage and high-power motor drivers. top drive PWM output mode is more easier circuit and higher stability than bottom drive PWM output mode.

2:The PWM frequency of JY02A is 13KHz, which not only takes into account the comprehensive ratio of efficiency and noise, but also increases the power and reduces the power consumption of the driving circuit . The torque of the motor is higher than that of 20KHz under the same power supply.

### Pulse of JY02A

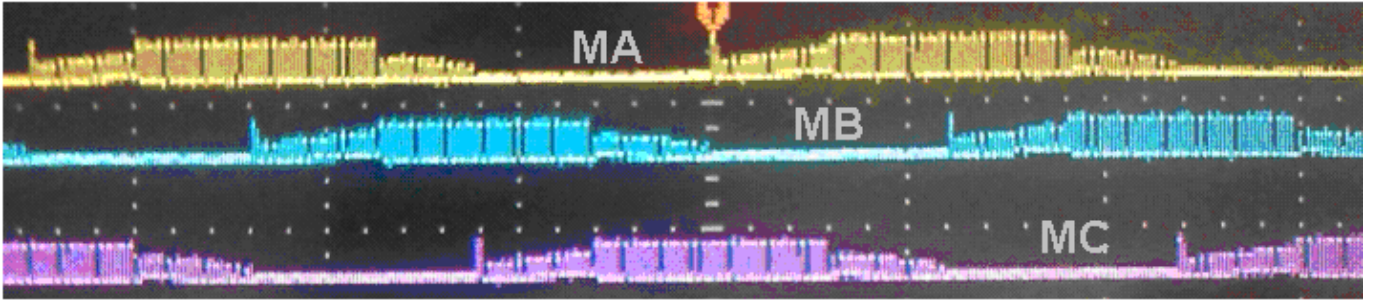
Please take a note that JY02A output one pulse signal during the BLDC motor commutating phase each time. It means JY02A not produce one pulse when the motor turn a round. For example as following schematic diagram: its an inner rotor, 2 pairs pole motor, it means the motor needs commutating phase for 6 times for each round, so JY02A will output 6 pulses each motor round



Schematic diagram of internal structure of 2 pair pole inner rotor motor

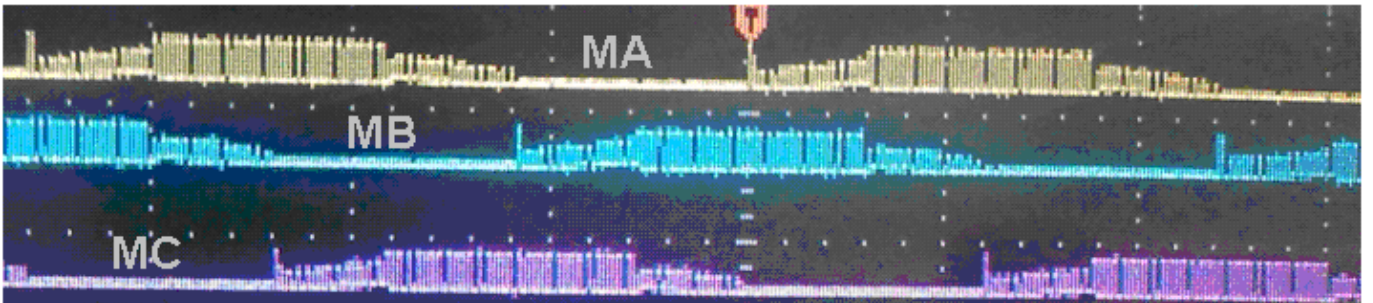
### Forward drive output oscillogram

(SPWM output close to sinusoid, well electromagnetic noise restraint )



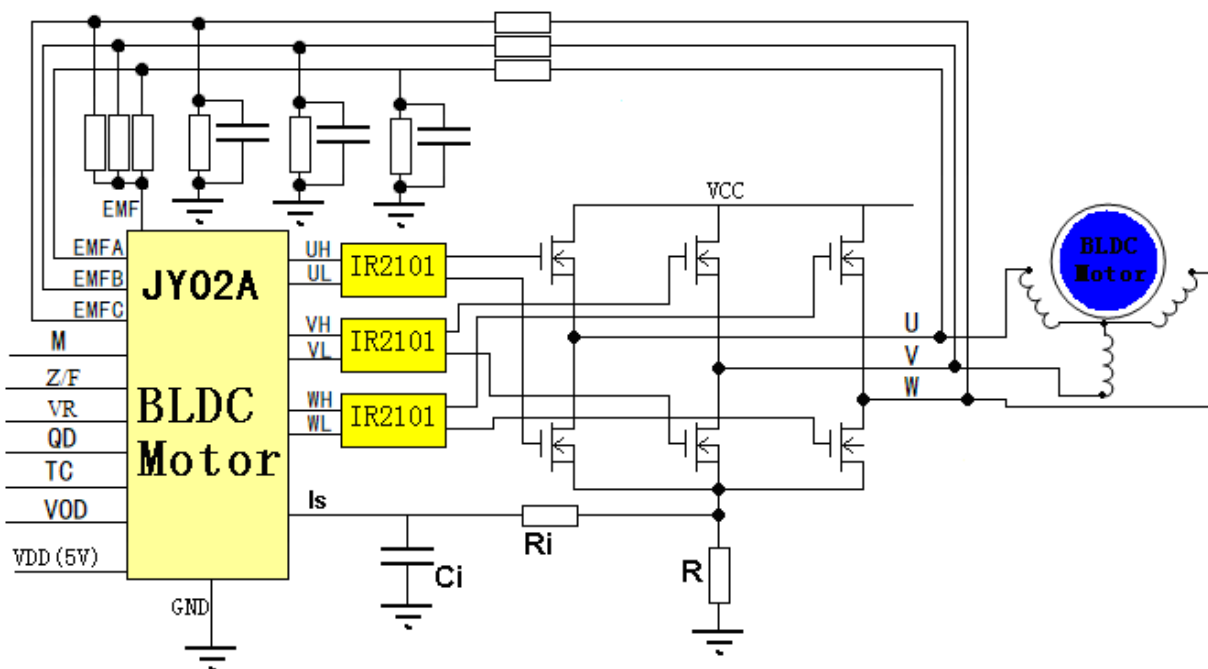
### Reversing drive output oscillogram

(SPWM output close to sinusoid, well electromagnetic noise restraint )



### Schematic of application :

#### 1、JY02A typical application Schematic for sensorless brushless DC motor



JY02A has built-in BEMF detection circuit

JY02A no need external Comparator Circuit for sensorless brushless DC motor



## Remark :

Is is the current signal feedback input terminal. When the Is terminal voltage reaches to 40mV, the system starts overload monitoring and enters the constant current control state. The driving current is no longer increased by the VR terminal voltage or the load increases. This function effectively prevents MOSFET burn out when the load is too large, and can continue to provide power to the motor to maintain the maximum driving state. When the accidental current continues to increase, the voltage of the Is terminal reaches or exceeds 90mV, the JY02A will immediately enter to protection state, and close all outputs ,the protection only released when VR is reduced to 0V or re-powered

According to Ohm's law, we only need to change the value of R to change the protection current value. JY02A is very flexible in current protection (more on this later)

## Functional description and application considerations

### a) **Overload protection and current sampling resistance value selection:**

JY02A has a relatively complete overload protection function. the overload protection and current abnormal protection function of JY02A will take effect only under the condition of the current sampling resistor R is selected properly. When the Is pin voltage reaches 0.40mV, the overload monitoring starts and enter into constant current state and keeps the driving current constant. At this state, the driving current no longer rises with the voltage of the VR pin, and will not increase with the increase of the load. In this state, JY02A will continue to provide a constant power for the motor and keeps the motor in normal working state. If the Is pin voltage reaches or exceeds 90mV, the system will judge all the outputs within 4.5 microseconds.

Here is a detailed example how to select properly R value as follow:

R value formula:  $I = 0.04/R$

I: Constant current setting value, unit: A

0.04: is the voltage value of Is pin of JY02A

R: current limiting resistance, unit: Ohm

For example, a controller with an operating current of 3A , set the constant current to 5A for safety, and the system keep the current at 5A when the current reaches or exceeds 5A, after the formula  $I = 0.04 /R$ ,  $R=0.04/I$  so R value =  $0.04 / 5=0.008$  Ohm, so the current sampling resistor should use a power resistor of 8 milliohms (current sampling resistor normally is cement resistor and constantan wire)

### b) **locked-rotor protection:** JY02A has automatic restart function. Once the running motor is blocked by external force, the system will automatically protect and restart. If the restart is unsuccessful for 10 times, it will automatically stop output. Disconnect the power or reduce the voltage of the VR pin to 0V to unlock the protection. Increase the VR voltage to restart the motor.

- c) **Z/F soft reversing:** The 16th pin Z/F of JY02A is the reversing control pin. This pin can be connected to 5V or GND. JY02A has soft reversing function. This function protects the MOSFET and motor in many applications, and improves the reliability and service life, the specific operation is that when the motor is rotating in one direction, when the Z/F voltage level changes, the driver stops output first, the motor rotates freely till stop, and then starts to run in the other direction.
  
- d) **FG speed signal feedback:** JY02A also outputs the speed pulse signal while driving the motor. JY02A will output one pulse every phase commutating. This is perfectly reflected in high-end applications. In the case of precise speed control, such as DC brushless fan, DC Brushless pumps, etc.,  
With the speed signal feedback, these functions are easy to achieve, Such as require stable speed and stable torque, and closed-loop control solution.
  
- e) **TC Temperature protection port:** JY02A has an external connect temperature protection function. The application is quite simple, only an external NTC and a resistor are required, can place the NTC in the place where need be monitored, such as MOSFET or motor. When the temperature reaches a certain value, the system will automatically protect, the system will restart after the temperature down to safety value. it is recommended parameters of NTC: NTC of 10K3950K, divider resistor with 10K 1%, according to this parameter, the temperature will automatically protect when the temperature reaches 100 degrees, of course, you can also replace other models NTC or adjust divider resistor according to the actual application. The value of the resistor reaches the temperature value that you want to protect.
  
- f) **QD Starting torque adjustment:** By adjusting the voltage of the QD terminal, the starting torque can be directly changed. The voltage adjustment range is 0V-2.5V, and the normal motor starting torque voltage is between 0V - 0.8V (the starting torque is not as bigger as better)

#### Summary:

There are many factors affecting the DC brushless Hallless motor driver, such as the working voltage, speed, commutation angle, load, inductance, back EMF, starting load, etc., which will affect the DC brushless motor drive performance. The driving effect of the motor, so more testing are required to make a perfect high-efficiency, stable DC brushless sensorless motor driver .

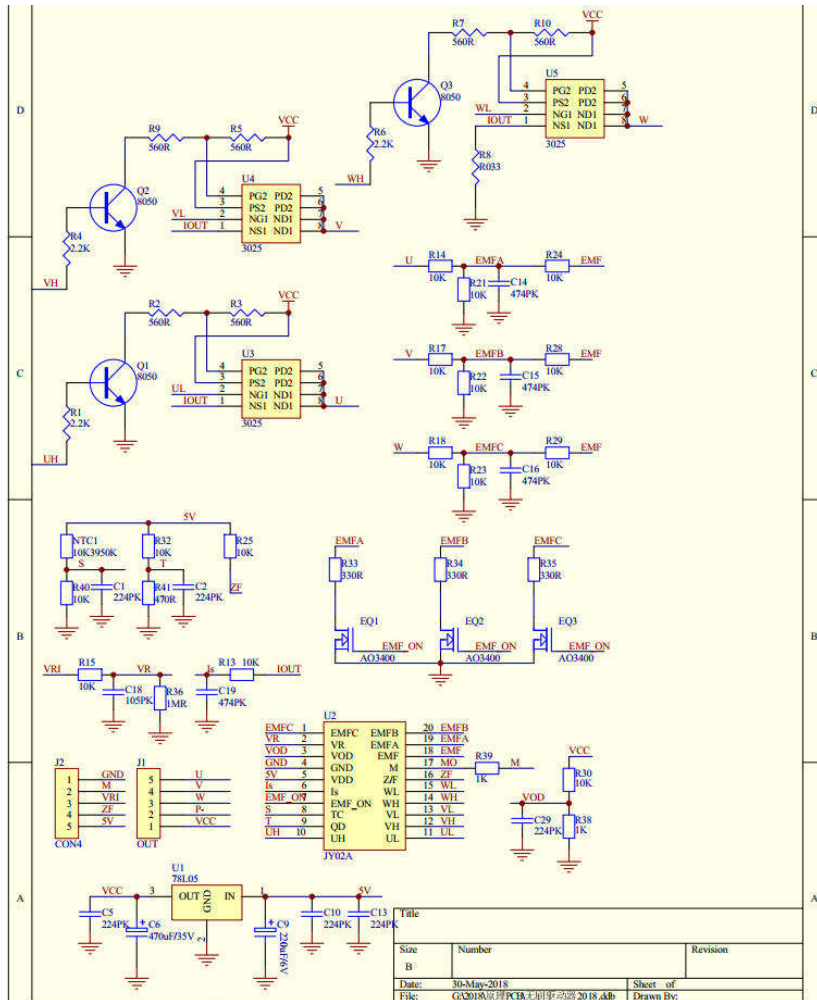
#### Declaration:

**In order to improve the performance of DC brushless sensorless motor driver, reduce the volume, reduce the production and development costs, JY02A is our the second DC brushless sensroless motor driver IC that does not require an external comparator. JY02A integrates all the circuits of DC brushless sensorless motor driver (excluding power components). In order to better service to our customers, we offer three JY02 typical application circuits for reference. We will continue to improve its performance according to market applications., actual IC function may be slightly different from the introduction of this article, if you have any problems in the application, you can contact us for the latest information.**



Here are three typical application schematics and product photos for reference. These schematics are all validated for mass production and related physical products provide learning research. These three typical application schematics basically cover the most of applications.

### JY02A small power DC brushless Hallless motor drive application schematic



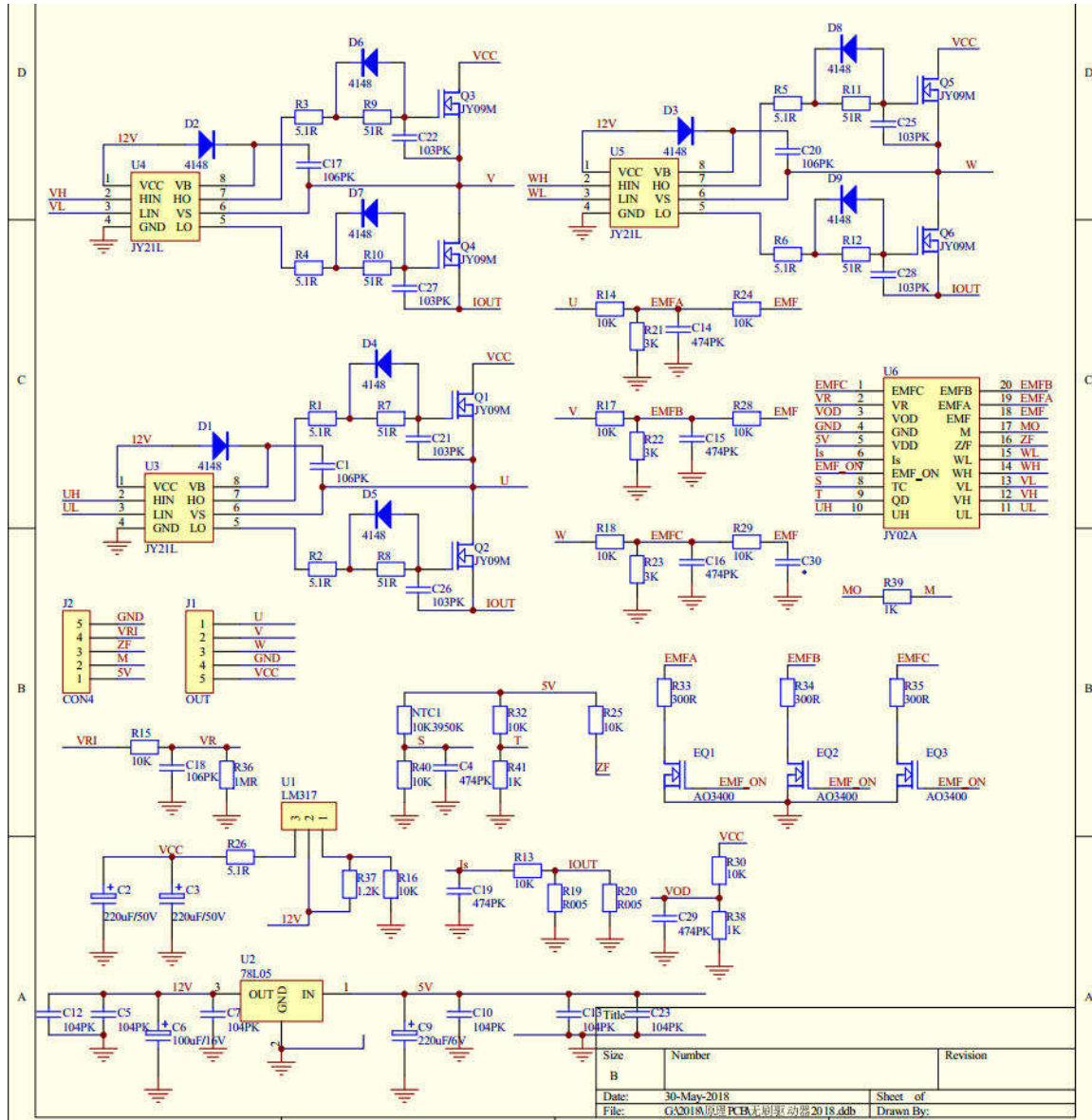
Working voltage:7.5V---28V    Max working current:3A    Max power output:30W

Small power dc brushless sensorless motor driver product photo



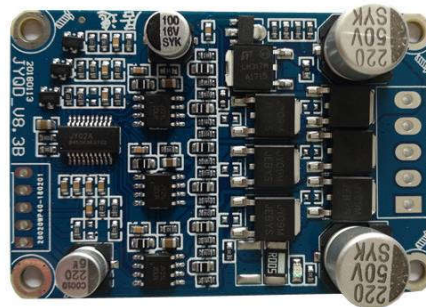
Size: L 45mm \*W:32mm\*H 12mm

# JY02A middle-size power DC brushless Halless motor drive application schematic



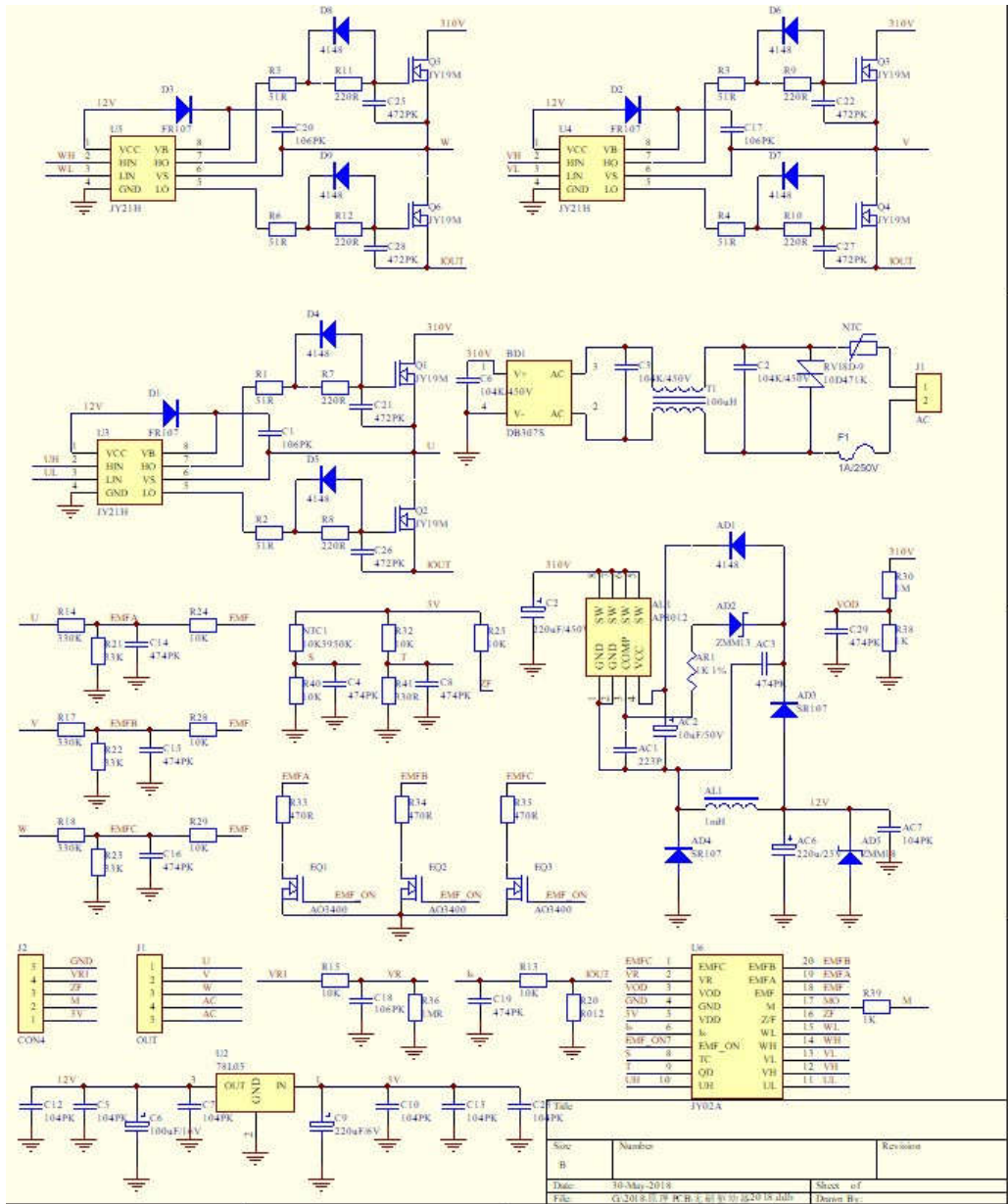
Working voltage:12V----36V    Max working current:16A    Max power output:500W (MOS:TO220)

Middle-size power dc brushless sensorless motor driver product photo



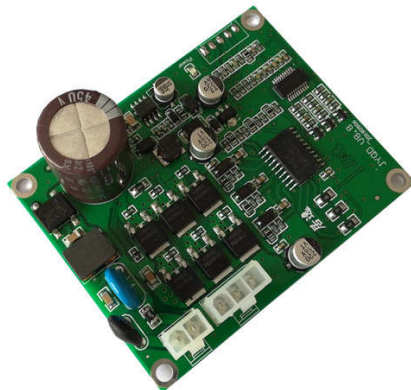
Size: L 63mm \*W:42.5mm\*H 12mm

# JY02A High voltage DC brushless Halless motor drive application schematic



Working voltage:80V---265VAC    Max working current:1A    Max power output:150W

High voltage DC brushless sensorless motor driver product photo



Size: L 77mm \*W:60mm\*H 32mm